

CERTIFICATE OF REGISTRATION

NAME: DRC Scarlet RBSH

NUMBER: 010674

SEX: HEIFER

LEFT ID:

DATE OF BIRTH: 04/28/2020

COLOR: Red

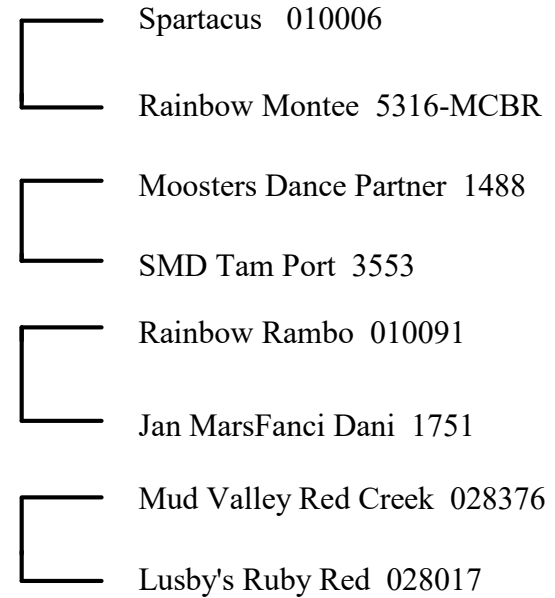
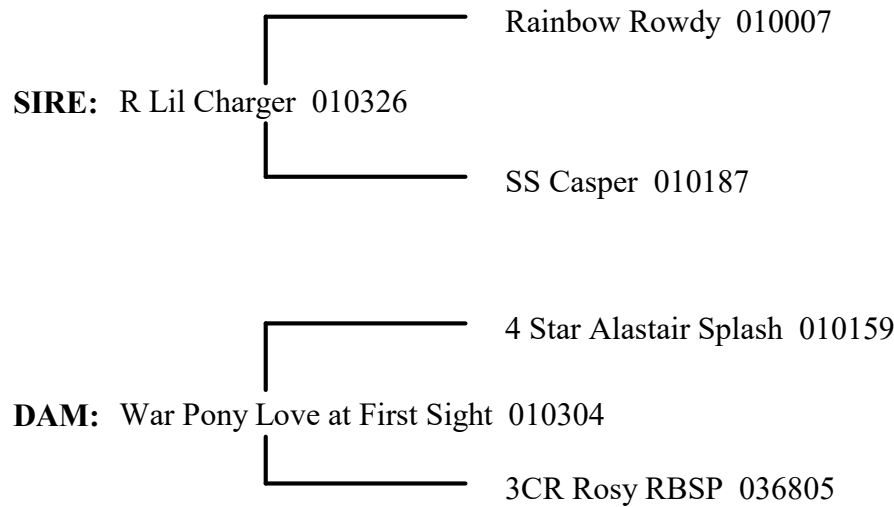
HORNED

RIGHT ID:

PARENTAGE DNA:

BREEDING: PASTURE PHA:

PARENTAGE DNA: G1 no genotype on file G2 genotype on file G3 sire qualifies G4 dam qualifies G5 sire and dam qualify



THIS IS TO CERTIFY that the animal described above has been accepted for the White Dexter Cattle herd book. This certificate is issued in full reliance upon the truth of the statements contained in the application file therefor, but in no event is it to be deemed a guarantee by the Association of the breeding of this animal.

Bred By:
Acacia Farms LLC
7007 E. April Ct.
Floral City, FL 34436

Owner #1061

Owner:
C. Frank Cobb
6 St. Matthews Church Rd.
Hazlehurst, GA 31539

Owner #1165

WHITE DEXTER CATTLE

Registrar

Date of Issue: October-22-2020

If ownership is transferred this certificate is to be endorsed on the reverse side and mailed to the Registrar with the proper fee.